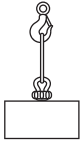
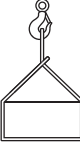
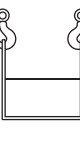


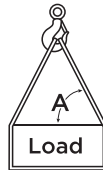
## WEB SLING INFORMATION

Common Types of Sling Hitches

Hitch	Comments
 <p>Vertical Hitch</p>	One end is placed on the hook, while the other end is attached directly to the load. A tagline should be used to prevent load rotation.
 <p>Choker Hitch</p>	Sling passes through one end around the load and the other end is placed on the hook. Rated capacity is normally 80% of that for a vertical hitch. Load control is a potential problem with only one sling rigged in a choker hitch. Also, the choke point should always be on the sling body—not on the fittings, base of the fitting or tag.
 <p>Basket Hitch</p>	The sling cradles the load while both ends are attached overhead. The rated capacity for a basket hitch is twice that for a vertical hitch. As with the choker hitch, more than one sling rigged in a basket hitch (or some other means) may be necessary to help ensure load control.

Increased sling tension as a function of sling-to-load angle

Angle "A" in degrees from horizontal	Tension Multiplier
90	1.000
85	1.004
80	1.015
75	1.035
70	1.064
65	1.104
60	1.155
55	1.221
50	1.305
45	1.414
40	1.555
35	1.742
30	2.000



Multiply the load weight (per leg) by the tension factor to determine the increased tension of the sling leg(s)

Reductions in rated capacity as a function of angle of choke

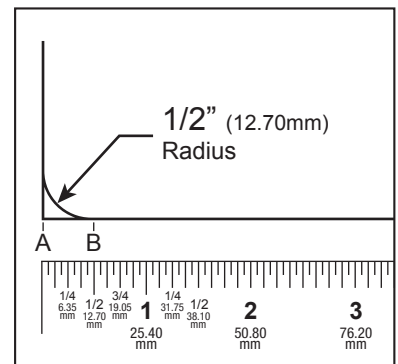
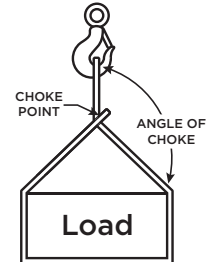
Angle of Choke (degrees)		Angle of Choke Reduction Factor
= or >	<	
120	180	1.000
105	120	0.82
90	105	0.71
60	90	0.58
0	60	0.50

The radii values apply to roundslings that are fully tensioned to their rated capacity regardless of the hitch.

When roundslings are tensioned to lower force values, the minimum radius values will reduce accordingly.

Fractional inches are rounded up to the nearest 1/16" (1.58 mm).

Actual Sling Capacity = Rated Capacity x Reduction Factor



### Web Sling Removal from Service Criteria

- If sling identification tag is missing or not readable.
- Holes, tears, cuts, snags, or embedded materials.
- Broken or worn stitches in the load bearing splices.
- Knots in any part of the sling webbing.
- Acid or alkali burns
- Melting, charring or weld spatter on any part of the web sling.
- Excessive abrasive wear or crushed webbing.
- Signs of Ultraviolet (UV) light degradation.
- Distortion, excessive pitting, corrosion or other damage to fitting(s).
- If provided, exposed red core yarn. However, if damage is present and red yarns are not exposed DO NOT USE the sling.
- Any conditions which cause doubt as to the strength of the web sling.

### WHERE TO FIND ADDITIONAL INFORMATION:

- WSTDA-WS-1 – RECOMMENDED STANDARD SPECIFICATION FOR SYNTHETIC POLYESTER WEB SLINGS
- ASME B30.9 – SYNTHETIC WEBBING SLINGS: SELECTION, USE AND MAINTENANCE
- OSHA GUIDANCE ON SAFE SLING USE ([HTTP://WWW.OSHA.GOV/DSG/GUIDANCE/SLINGS/SYNTH-WEB.HTML](http://www.osha.gov/dsg/guidance/slugs/synth-web.html))
- OSHA 29 CFR 1910.184 - SLINGS
- RIGGING HANDBOOKS
- FORMAL TRAINING FROM CERTIFIED THIRD PARTY OR MANUFACTURE

# TYPES OF WEBBING

MATERIAL TYPES:

**P**  
Polyester  
Webbing



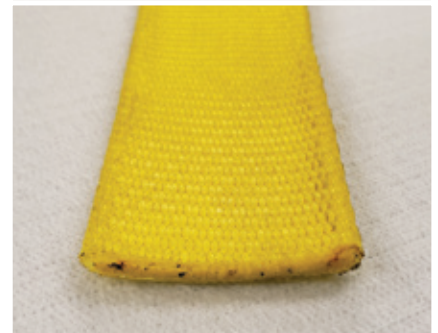
**PDE**  
Polyester  
Defense  
Edge



**N**  
Nylon  
Webbing



**NDE**  
Nylon  
Defense  
Edge



## NYLON VS POLYESTER

- Nylon and Polyester materials are heavy webbing designed to perform in tough industrial conditions. Both perform equally well in many applications, but as you can see below each is designed for specific conditions.
- Nylon will stretch about 6% when loaded while Polyester will stretch roughly 3% and water absorption is low for both material.
- Neither Nylon or Polyester should be exposed to heat exceeding 194° F (90° C) or below -40° F (-40° C).

CHEMICAL	NYLON	POLYESTER
ACIDS	NO	*
ALCOHOL	OK	OK
ALDEHYDES	OK	NO
STRONG ALKALIS	OK	NO
BLEACHING AGENTS	NO	OK
DRY CLEANING SOLVENTS	OK	OK
ETHERS	OK	OK
HALOGENATED HYDRO-CARBONS	OK	OK
HYDRO-CARBONS	OK	OK
KETONES	OK	OK
OILS CRUDE	OK	OK
OILS LUBRICATING	OK	OK
SOAPS & DETERGENTS	OK	OK
WATER & SEAWATER	OK	OK
WEAK ALKALIS	OK	OK

*\*DISINTEGRATED BY CONCENTRATED SULFURIC ACID.*

## TRIANGLE / TRIANGLE AND TRIANGLE / CHOKER WEB SLING

		RATED CAPACITY IN POUNDS			
Type 1 TCA(S) Type 2 TTA(S)		Vertical	Choker	Basket Hitch @ 90°	Web Width
ONE PLY	1902	3,100	2,480	6,200	2"
	1903	4,700	3,760	9,400	3"
	1904	6,200	4,960	12,400	4"
	1905	7,800	6,240	15,600	5"
	1906	9,300	7,440	18,600	6"
	1908	11,800	9,440	23,600	8"
	1910	14,700	11,760	29,400	10"
	1912	17,600	14,080	35,200	12"
TWO PLY	2902	6,200	4,960	12,400	2"
	2903	8,800	7,040	17,600	3"
	2904	11,000	8,800	22,000	4"
	2905	13,700	10,960	27,400	5"
	2906	16,500	13,200	33,000	6"
	2908	22,700	18,160	45,400	8"
	2910	28,400	22,720	56,800	10"
	2912	34,100	27,280	68,200	12"



### TRIANGLE / CHOKER

- Steel or Aluminum end fittings available
- Easily used in Basket and Choker Hitches
- Fittings help reduce abrasion
- Can create easier connection to hoist hooks
- Steel fitting provided as a standard on 2-Ply & 4-Ply slings



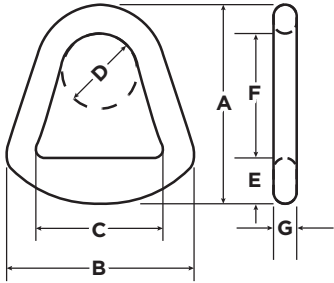
### TRIANGLE / TRIANGLE

- Steel or Aluminum end fittings available
- Easily used in Basket and Vertical – Not used for Choker Hitch
- Fittings help reduce abrasion
- Can create easier connection to hoist hooks
- Steel fitting provided as a standard on 2-Ply & 4-Ply slings

**WARNING:** Do not exceed rated capacities. Sling capacity decreases as the angle from horizontal decreases. Slings should never be used at angles less than 30 degrees. Fittings should never be used where exposure to sprays, mists, vapors, fumes or liquids of harmful acids, alkalies, chlorine or other corrosive agents are present. While aluminum fittings are non-sparking and do not rust, they are not as durable and cost more than steel hardware. Aluminum fittings are degraded by salt water and should not be cleaned with chlorine based solutions.

**WARNING:** Do not exceed rated capacities. Sling capacity decreases as the angle from horizontal decreases. Slings should never be used at angles less than 30 degrees.

# TRIANGLE / TRIANGLE AND TRIANGLE / CHOKER WEB SLING HARDWARE SPECIFICATIONS

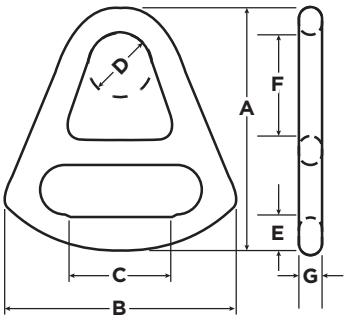


## TRIANGLES 2-PLY DIMENSIONS & DATA

Size	A	B	C	D	E	F	G	Approx. Weight (lbs.)	W.L.L.	Min. Break Strength
ST2	3-7/8	3-3/4	2-1/8	1-3/4	1	2-5/16	1/2	1	6,600	33,000
ST3	5-3/16	5	3-1/16	2	1-1/4	3-5/16	1/2	1.6	8,900	44,500
ST4	6-7/16	6-5/8	4-5/16	2	1-5/8	3-7/8	1/2	2.7	11,600	58,000
ST5	7-7/8	7-15/16	5-3/16	2-1/2	2	4-15/16	1/2	3.5	14,000	70,000
ST6	9	9-1/4	6-1/8	2-3/4	2-5/16	5-9/16	1/2	5.3	16,800	84,000
ST8	11-7/15	12	8-1/4	3-5/8	2-7/8	7-3/16	3/4	12	22,400	112,000
ST10	13-1/4	14-1/8	10-1/8	4-7/8	3-5/8	8-1/4	3/4	17	28,000	140,000
ST12	12-13/16	16-7/16	12-3/8	5	4-1/16	8	3/4	19	32,000	160,000

## TRIANGLES 4-PLY DIMENSIONS & DATA

Size	A	B	C	D	E	F	G	Approx. Weight (lbs.)	W.L.L.	Min. Break Strength
ST2	4-5/16	3-7/8	2-3/16	1-5/8	1-1/8	2-3/8	1/2	2.0	11,800	59,200
ST3	5-1/2	5.3/4	3-3/16	2-1/4	1-3/8	3-5/16	3/4	2.5	17,800	88,800
ST4	6-1/2	6-3/4	4-3/16	2-1/2	1-13/16	3-3/4	3/4	4.5	25,000	115,200
ST5	7-15/16	8	5-1/4	2-3/4	2-1/8	5	3/4	5.3	28,000	140,000
ST6	9-1/16	9-5/16	6-1/4	3	2-5/16	5-1/2	1	10.0	32,700	163,200
ST8	12-1/16	12-3/16	8-1/4	3-3/4	3-3/16	7-1/4	1-1/4	18.0	46,100	230,400
ST10	13-5/16	14-3/8	10-1/4	4-3/4	3-13/16	8-1/16	1-1/2	35.0	57,600	288,000
ST12	14-11/16	16-3/4	12-3/8	5-3/4	4-3/8	8-5/16	1-1/2	40.0	65,300	326,400



## CHOKERS 2-PLY DIMENSIONS & DATA

Size	A	B	C	D	E	F	G	Approx. Weight (lbs.)	W.L.L.	Min. Break Strength
ST2	6	5-1/2	2-1/8	2	1-1/16	2-1/4	1/2	2	6,600	33,000
ST3	7-1/2	7	3-1/8	2	1-3/16	3-3/16	1/2	2.9	8,900	44,500
ST4	9-5/16	9-9/16	4-1/8	2-1/2	1-13/16	3-1/2	1/2	6	11,600	58,000
ST5	10-9/16	11-5/8	5-1/8	2-3/4	2-1/16	4-7/16	1/2	7	14,000	70,000
ST6	12	12-3/4	6-1/8	2-7/8	2-11/16	4-9/16	1/2	9.8	16,800	84,000
ST8	14-7/16	16-1/2	8-1/8	5	2-13/16	6-7/16	3/4	24	22,400	112,000
ST10	16-1/2	18-3/4	10-1/4	5-1/8	3-1/2	7-5/8	3/4	28	28,000	140,000
ST12	19-1/4	22-5/8	12-1/8	5-1/2	4-1/4	9-3/4	3/4	40	32,000	160,000

## CHOKERS 4-PLY DIMENSIONS & DATA

Size	A	B	C	D	E	F	G	Approx. Weight (lbs.)	W.L.L.	Min. Break Strength
ST2	7	5-7/8	2-1/4	2	1-1/8	2-5/16	1/2	3	11,800	59,200
ST3	8-3/4	7-7/8	3-1/4	2	1-5/16	3-5/16	3/4	5.5	17,800	88,800
ST4	9-5/16	9-13/16	4-1/4	2-3/4	1-11/16	3-3/4	3/4	9.0	25,000	115,200
ST5	10-7/8	12	5-1/4	2-7/8	2-3/16	4-1/2	3/4	18.5	28,000	140,000
ST6	12-3/8	12-3/4	6-1/4	3	2-5/8	5-1/4	1	19	32,700	163,200
ST8	14-9/16	16-5/8	8-1/4	4-3/4	2-3/4	6-1/2	1-1/4	44	46,100	230,400
ST10	17-3/8	19-5/8	10-1/4	5-1/4	3-7/8	7-9/16	1-1/2	67	57,600	288,000
ST12	19-5/8	23-3/16	12-1/4	5-1/2	4	9-7/8	1-1/2	89	65,300	326,400



**WARNING:** Do not exceed rated capacities. Sling capacity decreases as the angle from horizontal decreases. Slings should never be used at angles less than 30 degrees.

## FLAT & TWISTED EYE/EYE WEB SLING



		RATED CAPACITY IN POUNDS					
	Type 3 EEF Type 4 EET	Vertical	Choker	Basket Hitch @ 90°	Web Width	Eye Length	Eye Width
ONE PLY	1901	1,600	1,280	3,200	1"	9"	1"
	1902	3,100	2,480	6,200	2"	9"	2"
	1903	4,700	3,760	9,400	3"	12"	1.5"
	1904	6,200	4,960	12,400	4"	14"	2"
	1906	9,300	7,440	18,600	6"	18"	2"
	1908	11,800	9,440	23,600	8"	22"	3"
	1910	14,700	11,760	29,400	10"	28"	3.5"
	1912	17,600	14,080	35,200	12"	30"	4"
TWO PLY	2901	3,100	2,480	6,200	1"	9"	1"
	2902	6,200	4,960	12,400	2"	9"	2"
	2903	8,800	7,040	17,600	3"	12"	1.5"
	2904	11,000	8,800	22,000	4"	14"	2"
	2906	16,500	13,200	33,000	6"	18"	2"
	2908	22,700	18,160	45,400	8"	22"	3"
	2910	28,400	22,720	56,800	10"	28"	3.5"
	2912	34,100	27,280	68,200	12"	30"	4"
THREE PLY	3901	4,700	3,760	9,400	1"	12"	1"
	3902	9,300	7,440	18,600	2"	12"	2"
	3903	13,500	10,800	27,000	3"	14"	1.5"
	3904	17,200	13,760	34,400	4"	18"	2"
	3906	24,400	19,520	48,800	6"	24"	3"
	3908	30,700	24,560	61,400	8"	26"	4"
	3910	36,000	28,800	72,000	10"	30"	5"
	3912	40,300	32,240	80,600	12"	42"	6"
FOUR PLY	4901	5,500	4,400	11,000	1"	12"	1"
	4902	11,000	8,800	22,000	2"	12"	2"
	4903	16,400	13,120	32,800	3"	14"	1.5"
	4904	20,400	16,320	40,800	4"	18"	2"
	4906	30,800	24,640	61,600	6"	26"	3"
	4908	41,000	32,800	82,000	8"	28"	4"
	4910	48,000	38,400	96,000	10"	32"	5"
	4912	60,000	48,000	120,000	12"	44"	6"

### Features & Benefits:

- Can be used in a Vertical, Choker or Basket Hitch
- Flat Eyes (Type 3 / EEF) are standard, Half Twist Eyes (Type 4 / EET) provided upon request
- Available in widths ranging from 1" to 12"
- Available in 1-Ply thru 4-Ply
- Bearing point of sling eyes are tapered to a narrower width on 3" and wider as a standard
- Tapered eyes on 2" wide slings are available upon request
- Additional wear protection is recommended in the eyes and/or on the body of the sling
- Polyester provided as a standard, Nylon available upon request

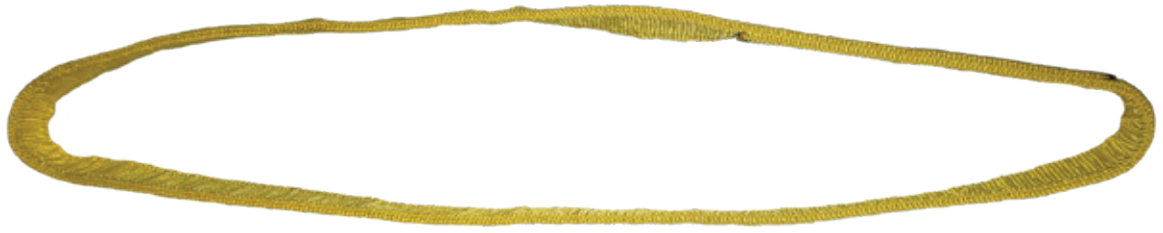
Sling Thickness	Tolerance
1 PLY	+/- 1.5" + 1.5% of Sling Length
2 PLY	+/- 2" + 2% of Sling Length
3 & 4 PLY	+/- 3" + 3% of Sling Length

Consider using Roundslings in applications requiring 3-Ply or 4-Ply slings, wider than 6"



**WARNING:** Do not exceed rated capacities. Sling capacity decreases as the angle from horizontal decreases. Slings should never be used at angles less than 30 degrees.

# ENDLESS WEB SLING



**Features & Benefits:**

- One of the most versatile web slings available
- Can be used in a Vertical, Choker or Basket Hitch
- Easily rotated to adjust bearing points and account for wear
- Available in widths ranging from 1" to 12"
- Available in 1-Ply thru 4-Ply
- Additional wear protection is recommended
- Polyester provided as a standard, Nylon available upon request

Sling Thickness	Tolerance
1 PLY	+/- 1.5" + 1.5% of Sling Length
2 PLY	+/- 2" + 2% of Sling Length
3 & 4 PLY	+/- 3" + 3% of Sling Length

		RATED CAPACITY IN POUNDS			
	Type 5 EN	Vertical	Choker	Basket Hitch @ 90°	Web Width
ONE PLY	1901	3,200	2,560	6,400	1"
	1902	6,200	4,960	12,400	2"
	1903	9,400	7,520	18,800	3"
	1904	12,400	9,920	24,800	4"
	1906	18,600	14,880	37,200	6"
	1908	21,200	16,960	42,400	8"
	1910	25,500	20,400	51,000	10"
	1912	31,800	25,440	63,600	12"
TWO PLY	2901	6,200	4,960	12,400	1"
	2902	12,400	9,920	24,800	2"
	2903	17,600	14,080	35,200	3"
	2904	22,000	17,600	44,000	4"
	2906	33,000	26,400	66,000	6"
	2908	42,300	33,840	84,600	8"
	2910	52,900	42,320	105,800	10"
	2912	63,500	50,800	127,000	12"
THREE PLY	3901	9,600	7,680	19,200	1"
	3902	17,700	14,160	35,400	2"
	3903	25,600	20,480	51,200	3"
	3904	34,600	27,680	69,200	4"
	3906	48,900	39,120	97,800	6"
	3908	61,400	49,120	122,800	8"
	3910	72,000	57,600	144,000	10"
	3912	80,600	64,480	161,200	12"
FOUR PLY	4901	11,000	8,800	22,000	1"
	4902	22,000	17,600	44,000	2"
	4903	32,900	26,320	65,800	3"
	4904	40,800	32,640	81,600	4"
	4906	61,200	48,960	122,400	6"
	4908	81,900	65,520	163,800	8"
	4910	96,000	76,800	192,000	10"
	4912	107,000	85,600	214,000	12"

Consider using Roundslings in applications requiring 3-Ply or 4-Ply slings, wider than 6"



**WARNING:** Do not exceed rated capacities. Sling capacity decreases as the angle from horizontal decreases. Slings should never be used at angles less than 30 degrees.



## REVERSE EYE & FLAT EYE WEB SLING



### REVERSED EYE

- Body and Eyes are covered with Bulkied Nylon
- Easy to use in Choker or Basket Hitches
- Bearing point of the eyes are 90° to the sling body
- Available in 2", 3", 4" & 6" widths
- 2" wide slings available in 1-Ply & 2-Ply
- 4" & Wider Available in 1-Ply thru 4-Ply

### FLAT EYE

- Body and Eyes are covered with Bulkied Nylon
- Easy to use in Vertical, Choker or Basket Hitches
- The Eyes lay flat and are in the same plane as the sling
- Available in 2", 3", 4" & 6" widths
- 2" wide slings available in 1-Ply & 2-Ply
- 4" & Wider Available in 1-Ply thru 4-Ply

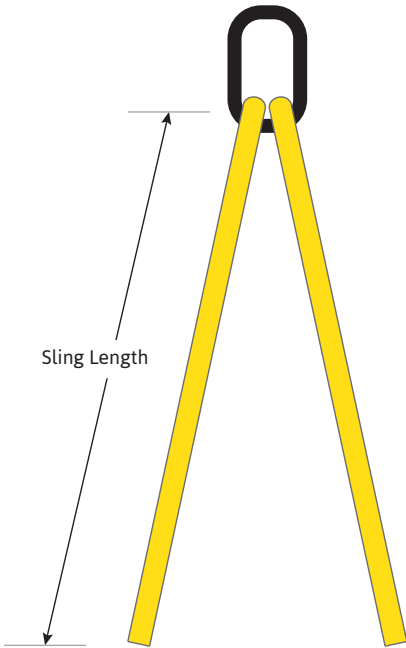
		RATED CAPACITY IN POUNDS					
	Type 6 (RE) Type 7 (FE)	Vertical	Choker	Basket Hitch @ 90°	Sling Width	Eye Length	Eye Width
ONE PLY	1902	3,200	2,560	6,400	2"	9"	1"
	1903	4,600	3,680	9,200	3"	12"	1.5"
	1904	6,200	4,960	12,400	4"	12"	2"
	1906	9,400	7,520	18,800	6"	15"	3"
TWO PLY	2902	6,200	4,960	12,400	2"	12"	1"
	2903	9,200	7,360	18,400	3"	15"	1.5"
	2904	12,400	9,920	24,800	4"	15"	2"
	2906	17,600	14,080	35,200	6"	18"	3"

Sling Thickness	Tolerance
1 PLY	+/- 1.5" + 1.5% of Sling Length
2 PLY	+/- 2" + 2% of Sling Length
3 & 4 PLY	+/- 3" + 3% of Sling Length



**WARNING:** Do not exceed rated capacities. Sling capacity decreases as the angle from horizontal decreases. Slings should never be used at angles less than 30 degrees.

# BRIDLE WEB SLING



Part # for Legs	Web Width	Web Plies	# of Legs	RATED CAPACITY (LBS.)				Alloy Sling Hook	Oblong Link
				VERT	60°	45°	30°		
EE1901	1"	1	SINGLE	1600	-	-	-	1T	1/2"
	1"	1	DOUBLE	-	2700	2200	1600	1T	1/2"
	1"	1	TRIPLE	-	4100	3300	2400	1T	3/4"
	1"	1	QUAD	-	5500	4500	3200	1T	1"
EE2901	1"	2	SINGLE	3000	-	-	-	1-1/2T	1/2"
	1"	2	DOUBLE	-	5100	4200	3000	1-1/2T	3/4"
	1"	2	TRIPLE	-	7700	6300	4500	1-1/2T	3/4"
	1"	2	QUAD	-	10300	8400	6000	1-1/2T	1"
EE1902	2"	1	SINGLE	3000	-	-	-	1-1/2T	1/2"
	2"	1	DOUBLE	-	5100	4200	3000	1-1/2T	3/4"
	2"	1	TRIPLE	-	7700	6300	4500	1-1/2T	3/4"
	2"	1	QUAD	-	10300	8400	6000	1-1/2T	1"
EE2902	2"	2	SINGLE	6000	-	-	-	3T	3/4"
	2"	2	DOUBLE	-	10300	8400	6000	3T	1"
	2"	2	TRIPLE	-	15500	12700	9000	3T	1"
	2"	2	QUAD	-	20700	16900	12000	3T	1-1/4"

## BRIDLE WEB SLING ORDERING GUIDE

NUMBER OF LEGS	TOP ATTACHMENT		BOTTOM ATTACHMENT		LEG TYPE
S SINGLE	O OBLONG/MASTER LINK	O OBLONG/MASTER LINK	EE EYE & EYE		
D DOUBLE	A SUB ASSEMBLY	S SLING HOOK*			
T TRIPLE	S SLING HOOK*	H SHACKLE*			
Q QUAD	H SHACKLE*				

\*Note Type of Hook or Type of Shackle in Description

\*Note Type of Hook or Type of Shackle in Description

Leave Blank if Standard Legs Required

EXAMPLE PREFIXES:	DESCRIPTION
SOO	Single leg oblong each end
SOE	Single leg oblong one end, sewn eye other end
SOS	Single leg oblong one end, sling hook other end
SSS	Single leg sling hook each end
DOE	Double leg oblong @ top & sewn eyes at bottom
DOS	Double leg oblong @ top & sling hooks in bottom eyes
TOE	Triple leg oblong @ top & sewn eyes at bottom
TOS	Triple leg oblong @ top & sling hooks in bottom eyes
QOE	Quadruple leg oblong @ top & sewn eyes at bottom
QOS	Quadruple leg oblong @ top & sling hooks in bottom eyes

**EXAMPLE:**

A 2-Leg, Single Ply, 1" Wide Polyester Web Bridle x 10' long (Bearing to Bearing) with an Oblong Link in the Top Eyes & Sling Hooks in the Bottom Eyes

Prefix	Leg(s)	Length	Material
DOS	EE1901	10	P

**Part # to Order:**  
**DOSEE1901X10P**



**WARNING:** Do not exceed rated capacities. Sling capacity decreases as the angle from horizontal decreases. Slings should never be used at angles less than 30 degrees.



## WIDE BODY BASKET SLING

		RATED CAPACITY IN POUNDS			
	Type 8 (WBB) Part #	Basket Hitch @ 90°	Eye Length	Eye Width	Finished Sling Width
ONE PLY	WBB1906	18,800	12"	1-1/2"	6"
	WBB1908	24,800	12"	2"	8"
	WBB1910	31,200	15"	1-3/4"	10"
	WBB1912	37,200	15"	2"	12"
	WBB1916	51,200	18"	3"	16"
	WBB1920	64,000	24"	3-1/2"	20"
	WBB1924	66,000	24"	4"	24"
TWO PLY	WBB2906	35,200	15"	1-1/2"	6"
	WBB2908	44,000	15"	2"	8"
	WBB2910	54,800	18"	2-1/2"	10"
	WBB2912	66,600	18"	3"	12"
	WBB2916	82,000	24"	4"	16"
	WBB2920	96,000	24"	5"	20"
	WBB2924	106,000	30"	6"	24"

3-Ply & 4-Ply Available Upon Request



### Features & Benefits:

- Basket Hitch Only
- Provides better balance for large fragile loads or highly finished surfaces
- Stiffeners at base of eye to prevent webbing from folding
- Eyes are tapered for easier fit in hoist or crane hooks
- Non-abrasive webbing reduces marring on painted and plated surfaces
- Komodo Cover Available

Sling Thickness	Tolerance
1 PLY	+/- 1.5" + 1.5% of Sling Length
2 PLY	+/- 2" + 2% of Sling Length

## LOAD BALANCER BASKET SLING

		RATED CAPACITY IN POUNDS			
	Type 9 (LBB) Part #	Basket Hitch @ 90°	Eye Length	Eye Width	Finished Sling Width
ONE PLY	LBB1906	3,000	10"	1"	6"
	LBB1908	3,000	10"	1"	8"
	LBB1910	3,000	12"	1"	10"
	LBB1912	3,000	12"	1"	12"
	LBB1916	5,000	12"	2"	16"
	LBB1920	5,000	18"	2"	20"
	LBB1924	5,000	18"	2"	24"
TWO PLY	LBB2906	6,000	10"	1"	6"
	LBB2908	6,000	10"	1"	8"
	LBB2910	6,000	12"	1"	10"
	LBB2912	6,000	12"	1"	12"
	LBB2916	10,000	12"	2"	16"
	LBB2920	10,000	18"	2"	20"
	LBB2924	10,000	18"	2"	24"



### Features & Benefits:

- Basket Hitch Only
- Lower rated capacity than Wide Body Slings
- Provides better balance for lighter, fragile loads or highly finished surfaces
- Stiffeners at base of eye to prevent webbing from folding
- Eyes are manufactured for easier fit in smaller hoist hooks
- Non-abrasive webbing reduces marring on painted and plated surfaces
- Komodo Cover Available

Sling Thickness	Tolerance
1 PLY	+/- 1.5" + 1.5% of Sling Length
2 PLY	+/- 2" + 2% of Sling Length



**WARNING:** Do not exceed rated capacities. Sling capacity decreases as the angle from horizontal decreases. Slings should never be used at angles less than 30 degrees.

## STONE HANDLING SLING

These slings are made with untreated, white nylon webbing. The webbing also features a soft, abrasion resistant fabric woven on one side. Stone Handling Slings are designed for handling concrete panels, polished granite and marble blocks.

Part #	Ply	Vertical (lbs.)	Choker (lbs.)	Basket (lbs.)
EESH104N	1	5,400	4,100	10,800
ENSH104N	1	10,800	8,600	21,600
EESH204N*	2	9,400	7,100	18,800
ENSH204N*	2	10,800	8,600	21,600

\*2-Ply Sling offers Abrasion Resistance on both sides.

## HOSE HANDLING SLING

Designed to be used in a Choker Hitch and to prevent any crushing or kinking of the hose, these slings distribute the load over the width of the sling. Hose Handling Slings are made using 9800 lbs. polyester webbing, unless a different material is specified.

Part #	Hose Dia.	Sling Length	Choker Capacity (lbs.)
AHH1904P	4"	3'6"	2,600
AHH1906P	6"	4'6"	5,100
AHH1908P	8"	6'	5,800
AHH1910P	10"	9'	7,700
AHH1912P	12"	11'	7,700

- TACO SLING
- DIRT/TRASH SLING
- GAS BOTTLE HANDLER
- DRUM HANDLING SLING



Call our Sales Team for additional Specialty Item Requests



**WARNING:** Do not exceed rated capacities. Sling capacity decreases as the angle from horizontal decreases. Slings should never be used at angles less than 30 degrees.