

**CUSTOMER NAME:** \_\_\_\_\_

**ADDRESS:** \_\_\_\_\_

**TELEPHONE NUMBER:** \_\_\_\_\_

**FAX NUMBER:** \_\_\_\_\_

**EMAIL ADDRESS:** \_\_\_\_\_

- QUICK AND EASY TO SLIP ON TO THE FORK BLADE.  
HEAVY DUTY WEB CONSTRUCTION, WE MAKE EACH PAIR TO FIT YOUR FORKS...EXACTLY.
- THE TIPS ARE TAPERED TO MATCH YOUR FORK'S TAPER, MAKING IT VERY EASY TO OPERATE WITHIN ANY SITUATION REQUIRING LOAD PROTECTION.
- INDUSTRIES AND APPLICATIONS FOR FORKLIFT PADS
  - COATED GAS AND OIL PIPE
  - MARINAS FOR BOAT LIFTING
  - STAINLESS AND PORCELAIN MAKERS
  - WOOD PRODUCTS
  - SHEETROCK
  - COATED SHEET METAL

**PLEASE PROVIDE THE FOLLOWING INFORMATION (IN INCHES):**

**A. FORK WIDTH** \_\_\_\_\_

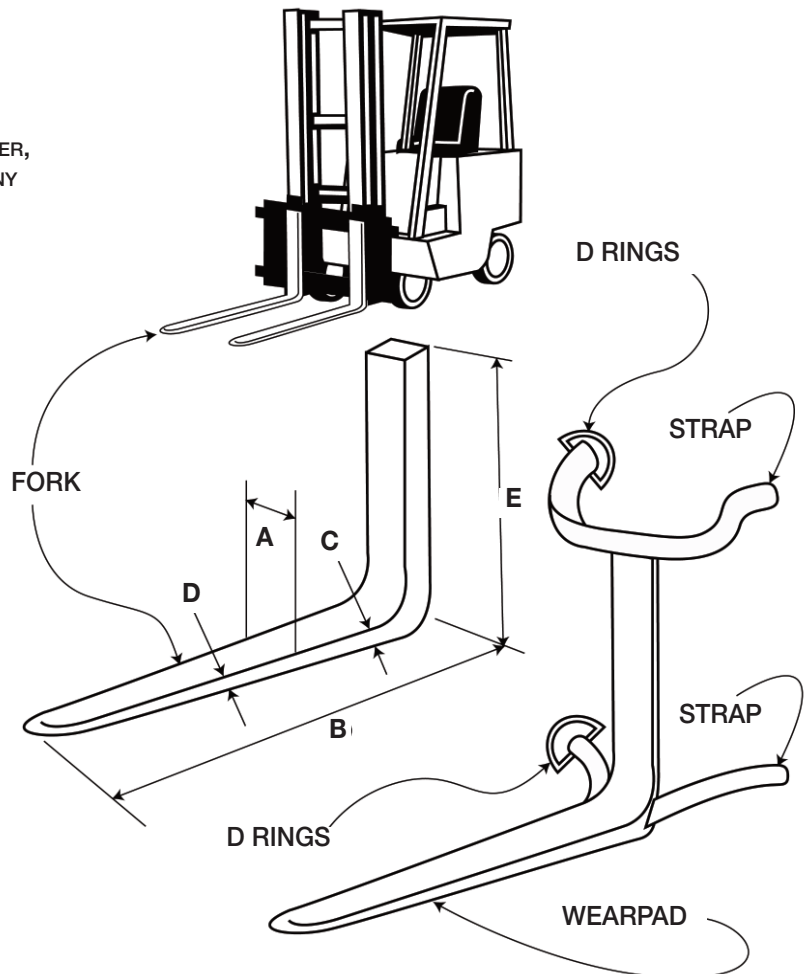
**B. LENGTH** \_\_\_\_\_

**C. THICKNESS AT REAR** \_\_\_\_\_

**D. THICKNESS AT MID (OPTIONAL)** \_\_\_\_\_

**E. BACK HEIGHT** \_\_\_\_\_

*NOTE: GROMMETS IN FLAP OPTIONAL*



### F.O.B. WAREHOUSE